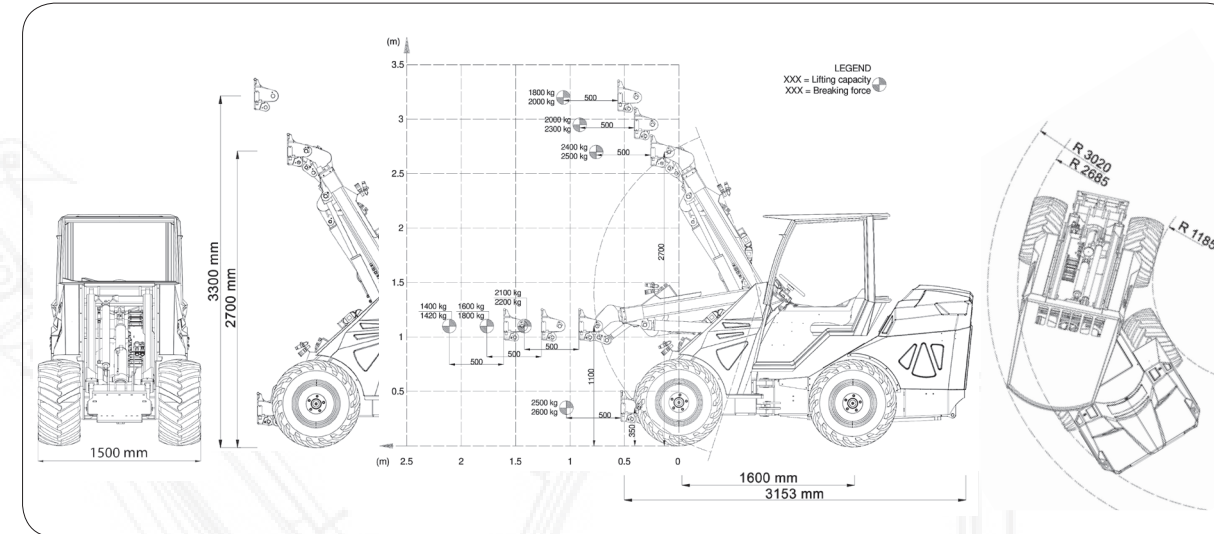




EN



DIMENSIONS AND LOADING DIAGRAMS



WHEELS

SKID	TRAC MASTER	TRACTOR	TURF
26X12.00-12 31X15.50-15	10PR 33x15.50-50	26X12.00-12 31X15.50-15 33X15.50-15	26X12.00-12 31X15.50-15

THE MAXO SERIES

	LOADING CAPACITY	ENGINE POWER	HYDRAULIC SYSTEM	BOOM HEIGHT
MAXO 50S	2100 Kg (with counterweights)	49 Hp / 36 Kw @3000 RPM	72 l/min	3300 mm
MAXO 50D	2100 Kg (with counterweights)	49 Hp / 36 Kw @3000 RPM	80 l/min	3300 mm
MAXO 57S	2100 Kg (with counterweights)	57 Hp / 42 Kw @2600 RPM	80 l/min	3300 mm
MAXO 57D	2100 Kg (with counterweights)	57 Hp / 42 Kw @2600 RPM	80 l/min	3300 mm



CASTGROUP
WWW.CASTLOADERS.IT

CAST GROUP SRL
Via A. Meucci, 18 I-30035 MIRANO VE
ph. +39041 5701827 fx +39041 5726786
info@cast-group.it

LEAF MAXO_ENG_10/2020

Data contained in this document is subject to change without notice and/or modification. Cast Group reserves the right to modify its products without obligation to communications. The images in this document are only a demonstrative purpose.





Cast Maxo represents today the flagship model of our production. It is produced in four versions which they differ in engines, power, and speed system. A very powerful and robust machine, suitable for multiple applications, above all in agriculture and construction. All models can be supplied with heated cabin and air conditioning. The 11- function joystick is standard for all Maxo models and is available in ergonomic version as an option.

WORK LIGHTS

High power led work lights.

ROAD LIGHTS

Approved road lights, built with shockproof and anti-wear material.

HOOD

Thermoformed and soundproofed rear hood, with large air vents.

CAB



- Agriculture
- Breeding
- Green maintenance
- Building
- Road maintenance



A version with an aggressive aesthetic.

Cast Maxo dresses in dark. The All Black Edition version represents the top range and its anthracite gray color with a matte finish of the sablè type, gives a very aggressive look, making it aesthetically very pleasant but especially more resistant to the atmospheric agents, scratches and contact with oils and fuels. A version for the demanding professional who loves to stand out with a very captivating machine with an undisputed personality.

ALL BLACK EDITION

Maxo All Black Edition is available as an option on all models of the Cast Maxo line. The sablè finish painting is anti-scratch and oil resistant.



Compactness and solidity.

50S
SINGLE SPEED

Yanmar 4TNV88 diesel engine
Poclain single speed wheel motors
Speed 15 km/h
Double cylinder selflevelling
Ergonomic seat

50D
DUAL SPEED

Yanmar 4TNV88 diesel engine
Poclain dual speed wheel motors
Speed 15-30 Km/h
Double cylinder selflevelling
185 Kg Integrated counterweights

57S
SINGLE SPEED

Kohler KDI 1903TCR Stage V diesel engine
Poclain single speed wheel motors
Speed 18 Km/h
Double cylinder selflevelling
185 Kg Integrated counterweights

57D
DUAL SPEED

Kohler KDI 1903TCR Stage V diesel engine
Poclain dual speed wheel motors
Speed 10-30 Km/h
Double cylinder selflevelling
185 Kg Integrated counterweights